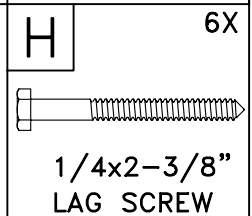
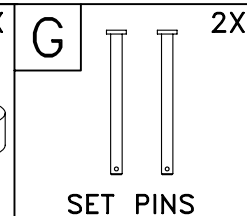
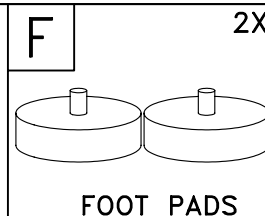
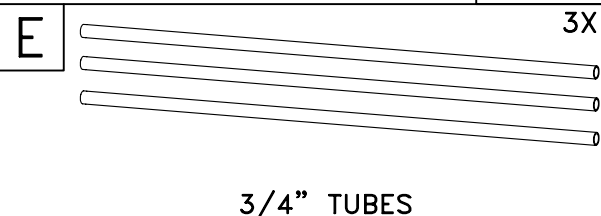
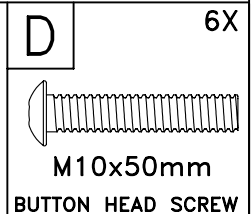
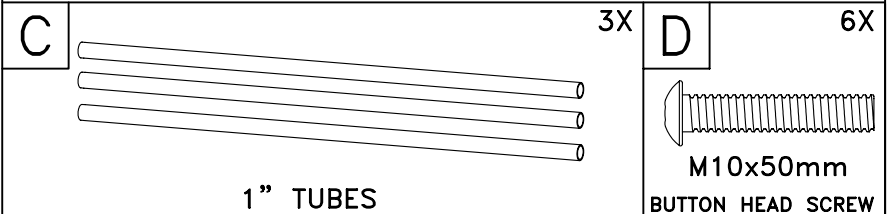
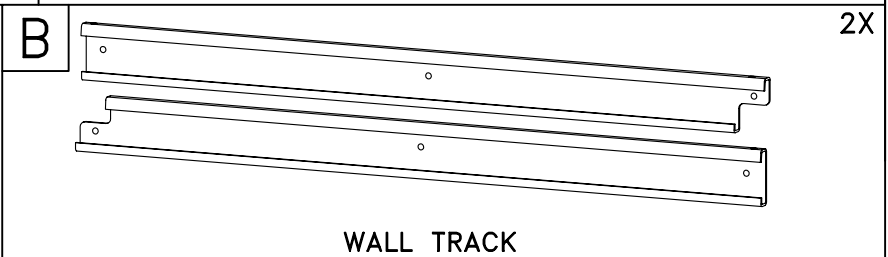
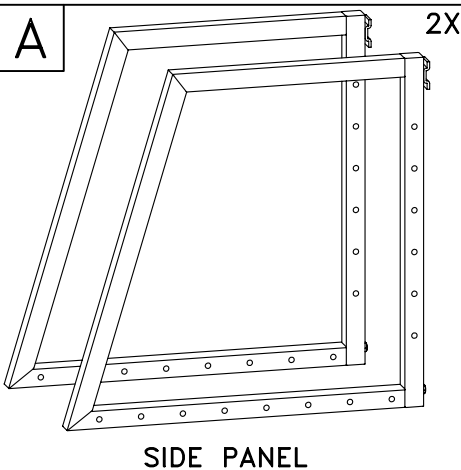
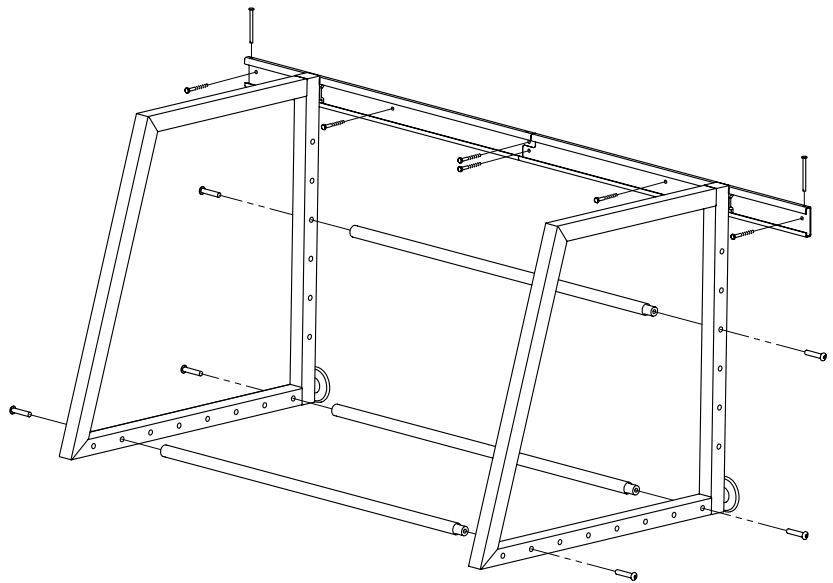
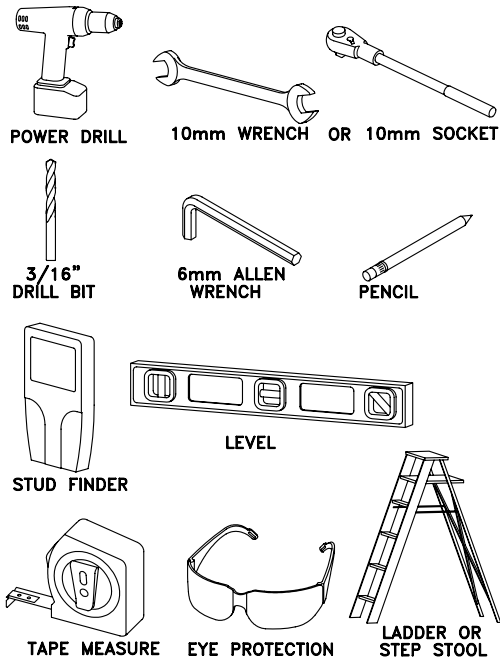




ALL PRODUCTS ARE WARRANTED FOR SUITABILITY AND WORKMANSHIP, BUT SHOULD BE INSPECTED ON ARRIVAL TO ENSURE ACCURACY. WE DO NOT WARRANTY ANY PRODUCTS THAT HAVE BEEN INCORRECTLY INSTALLED, REPAIRED, ALTERED, OR OTHERWISE MISUSED. CUSTOMER IS RESPONSIBLE FOR ALL FREIGHT CHARGES ON WARRANTY RETURNS.

ADJUSTABLE TIRE RACK

TOOLS REQUIRED



1

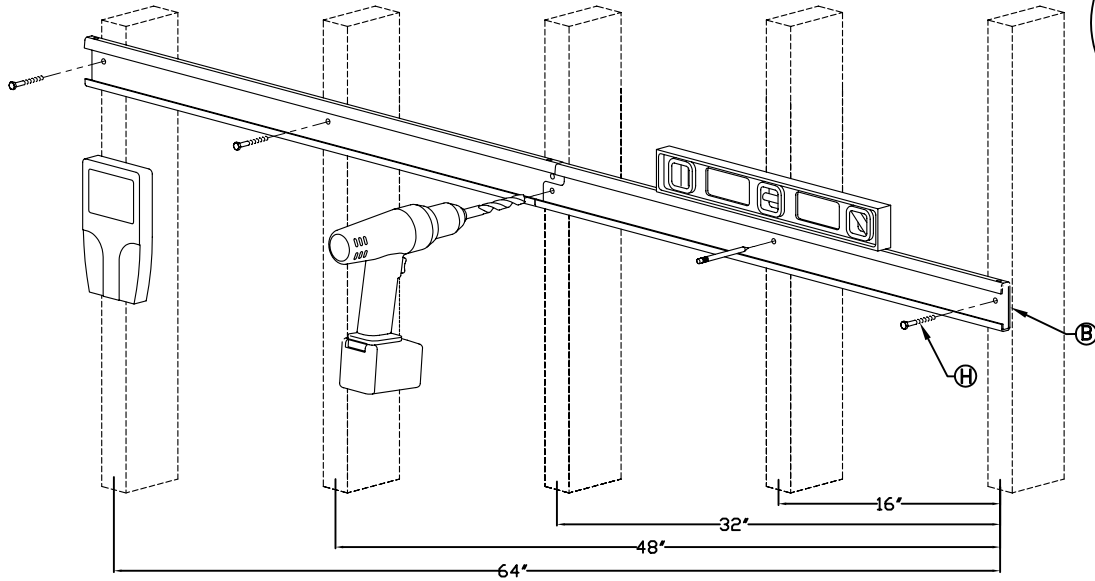
MOUNTING THE WALL TRACK

ITEMS NEEDED IN THIS STEP:

- (2X) ITEM B ==> WALL TRACK
- (6X) ITEM H ==> LAG SCREW

- 1). USE A STUD FINDER TO LOCATE THE WALL STUDS.
 - 2). PLACE WALL TRACK (B) WITH HOLES ALIGNED TO STUDS AND VERIFY THE TRACK IS LEVEL.
 - 3). MARK THE HOLE LOCATIONS WITH A PENCIL.
 - 4). PRE-DRILL THE HOLES USING A $\frac{3}{16}$ " DRILL BIT.
 - 5). MOUNT THE WALL TRACK (B) WITH 6 LAG SCREWS (H) USING A 10mm WRENCH OR SOCKET.
- NOTE: TRACK IS PRE-DRILLED FOR WALL STUDS THAT ARE ON 16" CENTERS.

LONGER LIP
ON TOP



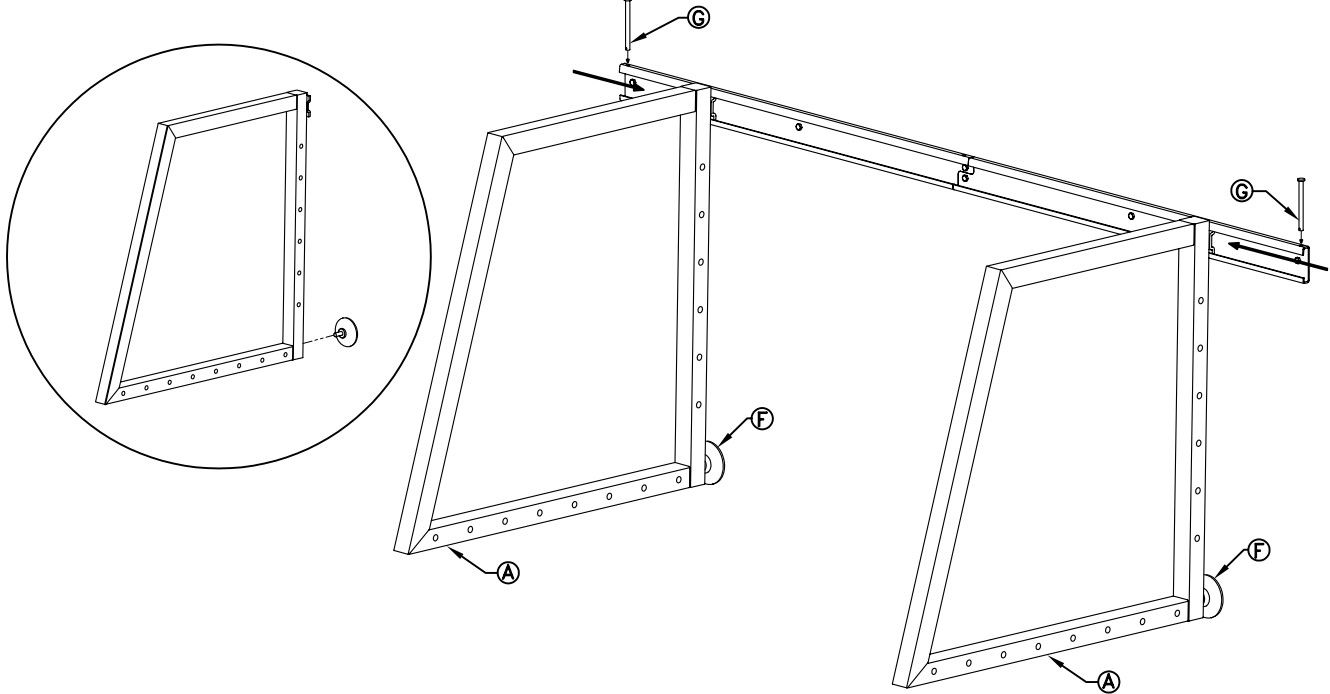
2

ASSEMBLE THE SIDE PANELS

ITEMS NEEDED IN THIS STEP:

- (2X) ITEM A ==> SIDE PANEL
- (2X) ITEM F ==> FOOT PADS
- (2X) ITEM G ==> SET PINS

- 1). SCREW IN BOTH FOOT PADS TO THE SIDE PANELS.
- 2). SLIDE BRACKET THAT IS ATTACHED TO THE SIDE PANEL INTO THE WALL TRACK.
- 3). INSERT SET PINS ON BOTH ENDS OF THE WALL TRACK.



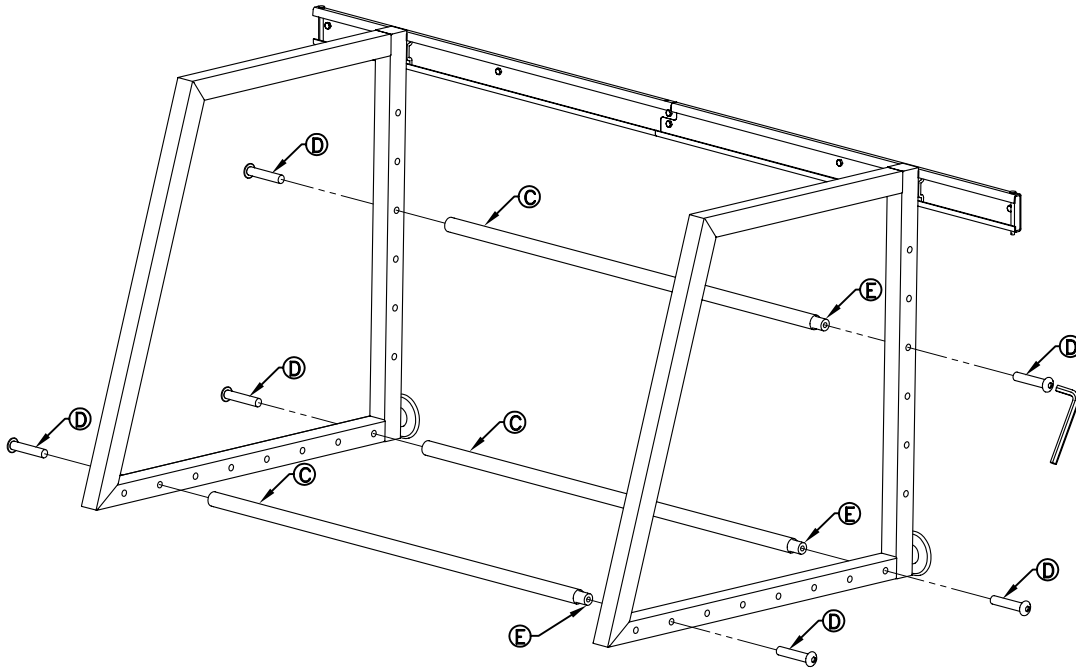
3

INSTALL THE SHELF TUBES

ITEMS NEEDED IN THIS STEP:

- (3X) ITEM C ==> 1" TUBES
- (3X) ITEM E ==> 3/4" TUBES
- (6X) ITEM D ==> BUTTON HEAD SCREW

1). USE THE BUTTON HEAD SCREWS (D) TO ATTACH THE TUBES TO THE SIDE PANELS.
NOTE: MEASURE THE TIRE DIAMETER AND POSITION THE RODS ACCORDINGLY.



4

INSTALLATION COMPLETE



EACH TIRE RACK CAN HOLD A MAXIMUM OF 400 lbs. BE SURE TO DISTRIBUTE THE LOAD EVENLY. DO NOT OVER EXTEND THE INSIDE OPENING BEYOND 52".

